



Exit Sign



**Feature:**

- Universal AC input voltage (100-277VAC)
- High luminous efficiency, power and energy more saver
- A grade ternary lithium battery, 2x 2.6Ah~3Ah, 3.7V  
Ultra-long emergency time limit, minimum level ≥ 2 hours
- Built-in certified emergency power, lifespan, high safety Performance
- With automatic monthly inspection function, fault alarm function, more intelligent
- With emergency test button/indicator/battery power switch, appearance coordination, beautiful and textured
- 6063 aluminum with high thermal conductivity, high temperature resistant PC
- Suitable for warehouses, offices, shopping malls and other places
- Comply with CE, FCC, LM79 and RoHS standards
- 3-year warranty



SS-T58SMD168E3-14W□ SS-T8SMD168E3-14W□

SS-T58SMD210E3-18W□ SS-T8SMD210E3-18W□

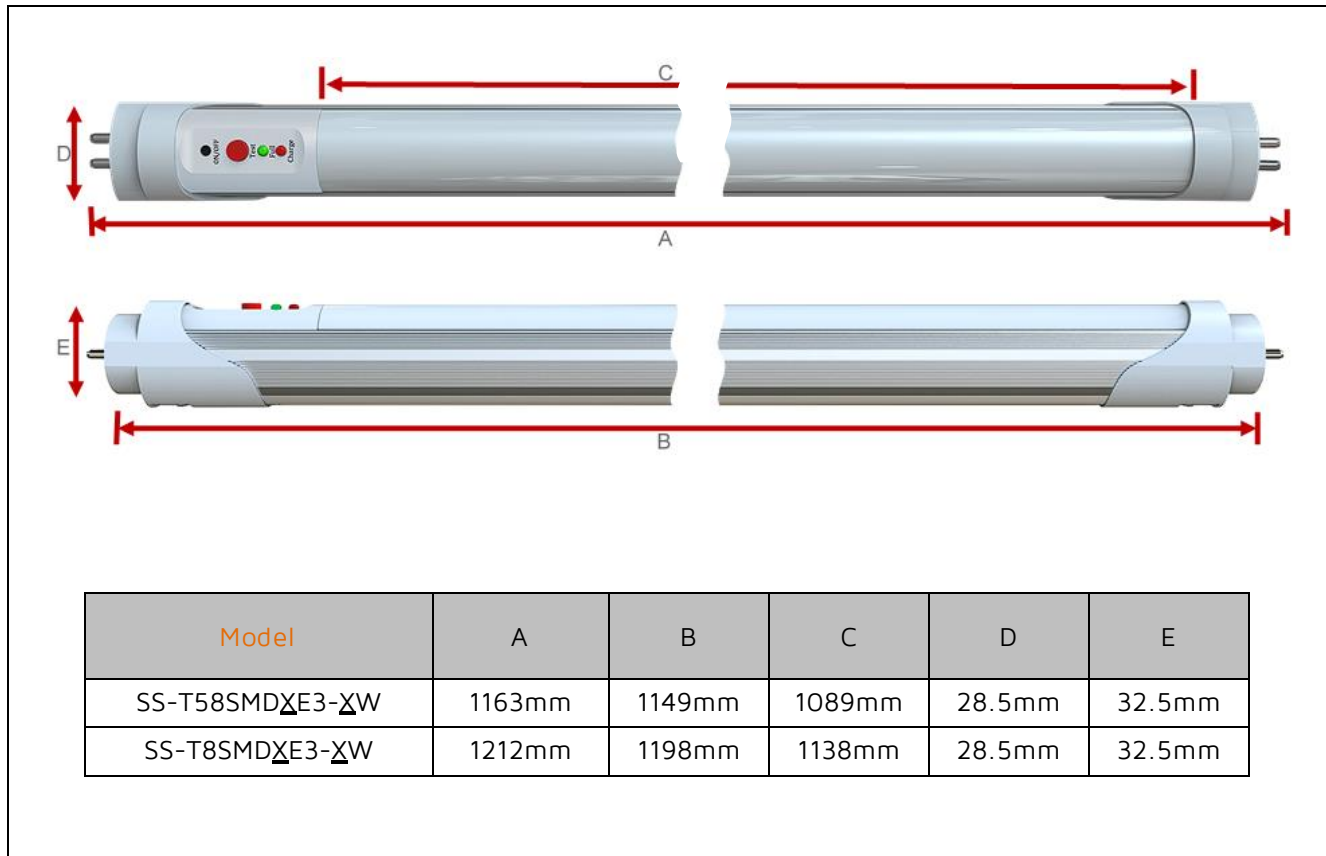
SS - SinoStar, T58/T8 - lamp cap, SMD168/210 - number of lamp beads, E3 - third generation emergency lamp, 14W/18W -power

**Electrical Specifications**

Model	SS-T58SMD168E3-14W	SS-T8SMD168E3-14W	SS-T58SMD210E3-18W	SS-T8SMD210E3-18W
Input voltage	100-277VAC	100-277VAC	100-277VAC	100-277VAC
Alternating current	0.2A / 100VAC 0.05A / 277VAC	0.2A / 100VAC 0.05A / 277VAC	0.24A / 100VAC 0.1A / 277VAC	0.24A / 100VAC 0.1A / 277VAC
Working frequency	50/60Hz	50/60Hz	50/60Hz	50/60Hz
Peak power (state of charge)	19W± 5%	19W± 5%	23W± 5%	23W± 5%
Power (Rated)	14W ± 5%	14W ± 5%	18W ± 5%	18W ± 5%
Emergency power	8-10W optional	8-10W optional	8-10W optional	8-10W optional
Power factor	PF>0.9@100VAC / 0.84@277VAC	PF>0.9@100VAC / 0.84@277VAC	PF>0.9@100VAC / 0.84@277VAC	PF>0.9@100VAC / 0.84@277VAC
Charging time	≥24 hours	≥24 hours	≥24 hours	≥24 hours
Emergency duration	≥2 hours (Refer to the timetable for optional)	≥2 hours (Refer to the timetable for optional)	≥2 hours (Refer to the timetable for optional)	≥2 hours (Refer to the timetable for optional)
Battery Type	LiCoMnNiO2 Ternary lithium battery 2* 2.6AH~3Ah,3.7V	LiCoMnNiO2 Ternary lithium battery 2* 2.6AH~3Ah,3.7V	LiCoMnNiO2 Ternary lithium battery 2* 2.6AH~3Ah,3.7V	LiCoMnNiO2 Ternary lithium battery 2* 2.6AH~3Ah,3.7V
Type of light	SMD2835 LED	SMD2835 LED	SMD2835 LED	SMD2835 LED

source				
Number of light sources	168pcs	168pcs	210pcs	210pcs
Luminous flux (at full brightness)	1680LM± 5%	1680LM± 5%	2160LM± 5%	2160LM± 5%
Color temperature	3000K/4000K/5000K/6000K± 5% (optional)			
Color Rendering Index	Ra>80	Ra>80	Ra>80	Ra>80
Led Luminous Efficiency	120LM/W (Fully charged state)	120LM/W (Fully charged state)	120LM/W (Fully charged state)	120LM/W (Fully charged state)
Beam angle	120°	120°	120°	120°
Working Life-span	30000 H	30000 H	30000 H	30000 H
Material	Aluminum Housing / PC Lens	Aluminum Housing / PC Lens	Aluminum Housing / PC Lens	Aluminum Housing / PC Lens
Color lampshade	Milky white / transparent	Milky white / transparent	Milky white / transparent	Milky white / transparent
Size	W28.5*H32.5*L1163mm	W28.5*H32.5*L1212mm	W28.5*H32.5*L1163mm	W28.5*H32.5*L1212mm
Lamp holder type	G5	G13	G5	G13
Temperature	Temperature-18°C~+43°C humidity 10~85%RH No condensation			
Safety regulations	PART 15B, BS EN 60598-1:2015+A1:2018 BS EN 60598-2-22:2014 BS EN 61347-2-7 IEC/TR62778:2014 BS EN 62493:2015 EN IEC 55015 EN61547 EN IEC61000-3-2 EN 61000-3-3+A1 EN 62321 Certified			
Surge Protection	2KV	2KV	2KV	2KV
Inside the box	Pearl cotton	Pearl cotton	Pearl cotton	Pearl cotton
Carton size	W230 * H215* L1300mm	W230 * H215* L1335mm	W230 * H215* L1300mm	W230 * H215* L1335mm
N.W.	595g	605g	595g	605g
Case pack	30Pcs/CTN	30Pcs/CTN	30Pcs/CTN	30Pcs/CTN
Carton's Weight	19kg	19.5kg	19kg	19.5kg
※ Contact customer service to provide IES files/integrating sphere reports for each wattage.				

Product size (Unit: mm)



Emergency discharge time table

Model	Time Battery	2h	2.5h	3h	3.5h	4h	6h
SS-T58SMD168E3-14W SS-T8SMD168E3-14W	2*2.6Ah, 3.7V	emergency 8W					
	2*3Ah, 3.7V	emergency 10W					
SS-T58SMD210E3-18W SS-T8SMD210E3-18W	2*2.6Ah, 3.7V	emergency 8W					
	2*3Ah, 3.7V	emergency 10W					

Remarks: The emergency duration is related to the emergency power/battery capacity, please choose the appropriate specifications according to the list

## ◆ Function Introduction

1. **ON/FF:**Black hidden switch,to active emergency function.  
Remark:This switch is default closed before leaving factory,Using a slightly sharped object into the hole to press it, as long as the noise heard means the swich is turned on.At the moment the tube will start emergency function if haven't install into the fixture.When the tube's indicators(red,green) flashing alternately after installing into the fixture means the internal switch is not turned on,Please repress it again.
  2. **Test:**The red button is for testing the emergency function if normal when the tube is working. When pressed, the lamp immediately starts the emergency state and lights up, and returns to the normal state after releasing it.Each time this button is pressed, the internal program time is cleared, and the automatic detection time is restarted.
  3. **Full:**The green indicator "steady on" means "the internal battery is fully charged".
  4. **Charge:**The red indicator "steady on" means the battery is being charged,and will automatically turn off when fully charged.
- Note:** When the red and the green indicator flashing alternately, it means that the ON/OFF switch is not turned on, please press it again. When the emergency function is activated the green and red indicators will go out at the same time.



### Tips:

1. About automatic detection: as long as the test switch (Test) is pressed, or the mains is re-supplied, the internal program will restart the timer. After 12 hours, the first automatic test will be performed, and the emergency state will be activated for 1 minute. After confirming that the emergency function is normal will return to normal state automatically. If the emergency function is abnormal within 1 minute, the program will automatically resume charging for 1 hour and then re-test. When confirmed it's not normal for the second time, the green indicator will start to flash to alarm, confirming that the internal device is abnormal and cannot work normally, stop using it immediately, Ask a professional to repair or replace it.
- 2.Monthly inspection function: When the product continues to work normally for 30 days, the internal program will automatically start an emergency function test.
- 3.Special situation: When the product lasts for more than 12 hours and the ON/OFF switch is not turned on, the internal program will determine there is a fault, and the green light will flash an alarm. At this time, Need to turn on the ON/OFF switch first, and then press the TEST button or mains is re-supplied. then can back to normal use.



## ■ Precautions

- The installation wall must be firm and reliable.
- The installation accessories need to be installed firmly.
- After the installation and wiring of the light is completed, the power is tested again to guard against electric shock.
- Please do not open the light and change the electrical structure to prevent damage to the light. The damage caused is not covered by the warranty.

The lamp cannot be illuminated normally or emergency function troubleshooting

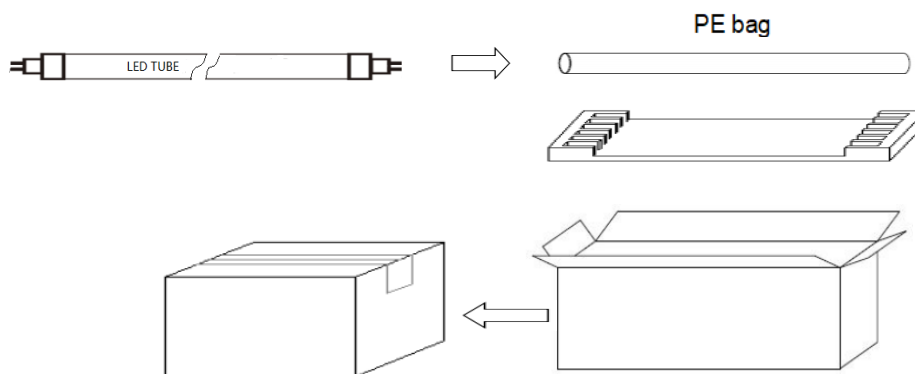
- After the light is not on, please check if the wiring is connected after power off.
- Check whether the black hidden switch is pressed.
- If the wiring is normal, no appearance damage, please contact the dealer or service center immediately.

After-sales service and repair

- In any case, if there is a problem, please contact your dealer or service center immediately.
- This product is repaired free of charge during the warranty period, and the appropriate material fee will be charged after the expiration of the warranty period.
- The company provides a hotline to answer various questions from users. Please call us.

## ■ Product Packaging

Outer carton size: L1335\*W230\*H215mm (T8)/L1300\*W230\*H215mm (T58)



White pearl cotton + kraft carton package, 30cs/carton