



Exit Sign



■ Feature:

- Universal AC input voltage (100-277VAC) .
- High luminous efficiency, power and energy more saver.
- A grade lithium battery, 2*2.6Ah-2.9Ah, 3.7V Ultra-long emergency time limit, minimum level ≥ 2 hours.
- Built-in certified emergency power, lifespan, high safety Performance
- With emergency test button/indicator/battery power switch, appearance coordination, beautiful and textured 6063 aluminum with high thermal conductivity, high temperature resistant PC.
- Suitable for warehouses, offices, shopping malls and other places.
- Comply with CE and RoHS standards.
- 3-year warranty.

SS-T58SMD96E3-8W SS-T8SMD96E3-8W

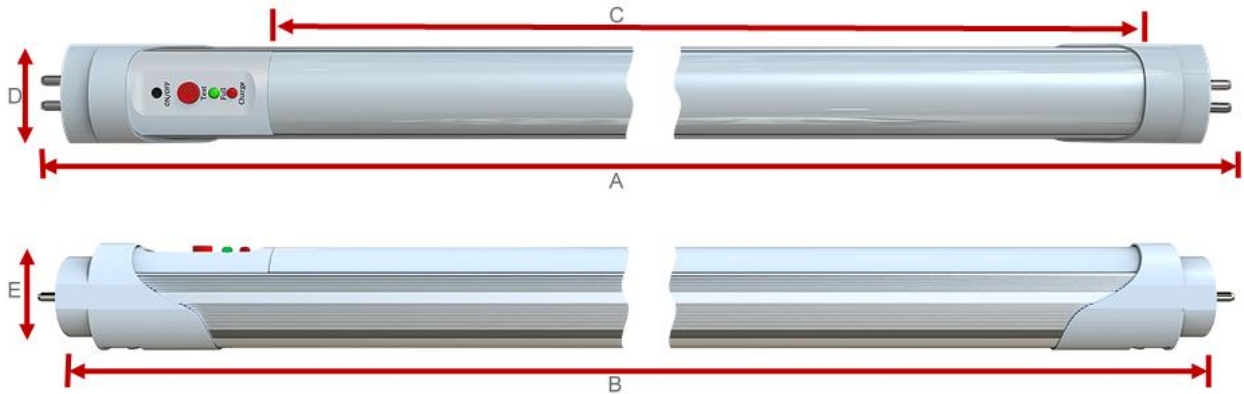
SS - SinoStar, T58/T8 - lamp cap, SMD168/210 - number of lamp beads, E3 - third generation emergency lamp, 14W/18W -power

Electrical Specifications:

Model	SS-T58SMD96E3-8W	SS-T8SMD96E3-8W
Input voltage	100-277VAC	100-277VAC
Alternating current	0.08A / 100VAC 0.03A / 277VAC	0.08A / 100VAC 0.03A / 277VAC
Working frequency	50/60Hz	50/60Hz
Rated power	8W \pm 5%	8W \pm 5%
Emergency power	8W (fully bright 100%) / 4W(half bright 50%)	8W (fully bright 100%) / 4W(half bright 50%)
Power factor	PF>0.9@100VAC 0.84@277VAC	PF>0.9@100VAC 0.84@277VAC
Charging time	≥ 24 H	≥ 24 H
Emergency duration	≥ 2 H	≥ 2 H
Battery Type	LiCoMnNiO2 ternary lithium battery 2* 2.9Ah, 3.7V	LiCoMnNiO2 ternary lithium battery 2x 2.9Ah, 3.7V
Type of light source	SMD2835 LED	SMD2835 LED
Number of light sources	96pcs	96pcs
Luminous flux (at full brightness)	960LM \pm 5%	960LM \pm 5%
Color temperature	3000-6000K 5% (optional)	3000-6000K 5% (optional)
Color Rendering Index	Ra>80	Ra>80
Led Luminous Efficiency	120LM/W (Fully charged state)	120LM/W (Fully charged state)
Beam angle	120°	120°
Working Life-span	30000 H	30000 H
Material	Aluminum + PC	Aluminum + PC
Color lampshade	Milky white / transparent	Milky white / transparent

Size	W28.5*H32.5*L563mm	W28.5*H32.5*L603mm
Lamp holder type	G5	G13
Temperature	Temperature-18°C~+43°C humidity 10~85%RH No condensation	Temperature-18°C~+43°C humidity 10~85%RH No condensation
Safety regulations	PART 15B, BS EN 60598-1:2015+A1:2018 BS EN 60598-2-22:2014BS EN 61347-2-7 IEC/TR62778:2014BS EN 62493:2015 EN IEC 55015 EN61547EN IEC61000-3-2 EN 61000-3-3+A1,EN 62321 Certified	
Surge Protection	Input to case 2KVAC	Input to case 2KVAC
Inside the box	Pearl cotton	
Carton size	W230 * H215* L663mm	W230 * H215* L703mm
Product Weight	306g	320g
Case pack	30Pcs/Carton	30Pcs/Carton
Carton Weight	10kg	14kg
※ Contact customer service to provide IES files/integrating sphere reports for each wattage.		

■ Product size (Unit: mm)



Model \ Size	A	B	C	D	E
SS-T58SMD96E3-8W	563mm	549mm	489mm	28.5mm	32.5mm
SS-T8SMD96E3-8W	603mm	589mm	529mm	28.5mm	32.5mm

■ Emergency discharge time table

Model	Time Battery	2h	2.5h	3h	3.5h	4h
SS-T58SMD96E3-8W	2*2.9Ah, 3.7V	emergency fully bright 8W			emergency 4W	
SS-T8SMD96E3-8W	2*2.9Ah, 3.7V	emergency fully bright 8W			emergency 4W	

Remarks: The emergency duration is related to the emergency power/battery capacity, please choose the appropriate specifications according to the list

◆ Function Introduction

1. **ON/OFF:** Black hidden switch, to active emergency function.
Remark: This switch is default closed before leaving factory, Using a slightly sharped object into the hole to press it, as long as the noise heard means the swich is turned on. At the moment the tube will start emergency function if haven't install into the fixture. When the tube's indicators (red, green) flashing alternately after installing into the fixture means the internal switch is not turned on, Please repress it again.
 2. **Test:** The red button is for testing the emergency function if normal when the tube is working. When pressed, the lamp immediately starts the emergency state and lights up, and returns to the normal state after releasing it. Each time this button is pressed, the internal program time is cleared, and the automatic detection time is restarted.
 3. **Full:** The green indicator "steady on" means "the internal battery is fully charged".
 4. **Charge:** The red indicator "steady on" means the battery is being charged, and will automatically turn off when fully charged.
- Note:** When the red and the green indicator flashing alternately, it means that the ON/OFF switch is not turned on, please press it again. When the emergency function is activated the green and red indicators will go out at the same time.



Tips:

1. About automatic detection: as long as the test switch (Test) is pressed, or the mains is re-supplied, the internal program will restart the timer. After 12 hours, the first automatic test will be performed, and the emergency state will be activated for 1 minute. After confirming that the emergency function is normal will return to normal state automatically. If the emergency function is abnormal within 1 minute, the program will automatically resume charging for 1 hour and then re-test. When confirmed it's not normal for the second time, the green indicator will start to flash to alarm, confirming that the internal device is abnormal and cannot work normally, stop using it immediately, Ask a professional to repair or replace it.

2. Monthly inspection function: When the product continues to work normally for 30 days, the internal program will automatically start an emergency function test.

3. Special situation: When the product lasts for more than 12 hours and the ON/OFF switch is not turned on, the internal program will determine there is a fault, and the green light will flash an alarm. At this time, Need to turn on the ON/OFF switch first, and then press the TEST button or mains is re-supplied. then can back to normal use.

Installation

- Before installation, confirm whether the connected voltage, frequency, etc. are consistent with the product parameters
- Ensure that the input voltage and frequency are within the specified range before installation.
- It should be installed by qualified professionals, and ensure that the mains is completely turned off before installation
- When installing, make sure that the "hidden battery switch button" is in the pressed state, and the traffic lights do not flash alternately
- No need for starter and ballast, or please confirm that the above components are disconnected; The lamp connection and installation wiring diagram is divided into TYPE-B and TYPE-C, as shown below
- After installation, please check carefully, and then test it after confirming that it is correct.

Install the wiring diagram

Figure 1. Wiring diagram without a fire line :

TYPE-B



Figure 2. Wiring diagram with a fire line

TYPE-C



■ Precautions

- The installation wall must be firm and reliable.
- The installation accessories need to be installed firmly.
- After the installation and wiring of the light is completed, the power is tested again to guard against electric shock.
- Please do not open the light and change the electrical structure to prevent damage to the light. The damage caused is not covered by the warranty.

The lamp cannot be illuminated normally or emergency function troubleshooting

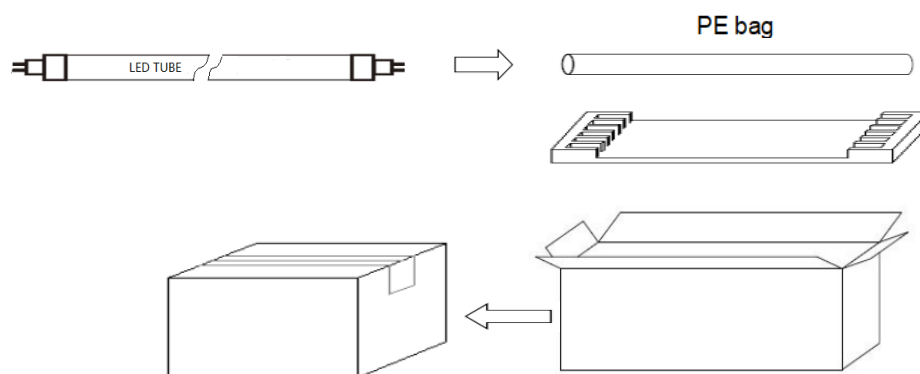
- After the light is not on, please check if the wiring is connected after power off.
- Check whether the black hidden switch is pressed.
- If the wiring is normal, no appearance damage, please contact the dealer or service center immediately.

After-sales service and repair

- In any case, if there is a problem, please contact your dealer or service center immediately.
- This product is repaired free of charge during the warranty period, and the appropriate material fee will be charged after the expiration of the warranty period.
- The company provides a hotline to answer various questions from users. Please call us.

■ Product Packaging

Outer carton size: L1335*W230*H215mm (T8)/L1300*W230*H215mm (T58)



White pearl cotton + kraft carton package, 30cs/carton