

NAME: LED Retrofit Kit

P/N: SS-SLB-27W

Advantage

- UL, CUL, RoHS, CE certificate
- PHILIPS LUMILEDS chip, high CRI
- Warm / Natural / Cool / Cold white.
- 90x150°, TYPE III.
- Internal driver, input voltage AC100-277V.
- E26, E27, E39, EX39, E40 lamp base.
- Lamp Base: 270 degree rotated.
- Big heat sink.
- New style and high efficient wide-range input.
- Long lifespan and good heat dissipation.
- Direct replacement for Metal Halide, easy Installation.
- Fits many different fixtures to replace traditional lamps.



Application

Retrofitting parking lots, shoeboxes, streetlights, floodlights, wall packs, and canopies has just been made simple.

SINOSTAR LIGHTING GROUP LTD.

Tel: +86-757-83982666
Web: www.sinostarled.com

Fax: +86-757-82283667
E-mail: sales@sinostarled.com

| General | | | |
|-----------------------|--|---------------|------|
| Product name | LED Retrofit Kit | | |
| Part No | SS-SLB-27W | | |
| Lamp Base | E26/E27 | E39/E40 | EX39 |
| Dimension | 233*113*80 MM | 243*113*80 MM | |
| Technical | | | |
| Color temperature | 2700-6500K | | |
| CRI | >70 | | |
| Lumen | 3100-3500 LM | | |
| Lumen Efficacy | 115-130 LM/W | | |
| Input Power | 27W | | |
| Viewing Angle | 90x150° (Type III) | | |
| Input Voltage | AC100-277V 50/60Hz | | |
| PFC | >90% | | |
| Equivalent | 60W CFL, 100W MHL/HPS/HID | | |
| Waterproof Rating | IP51 | | |
| Materials | | | |
| LED Brand | PHILIPS LUMILEDS | | |
| LED Type | LUXEON 3030 2D (1.5W) | | |
| LED QTY | 56 PCS | | |
| Housing | Magnesium Alloy+AL+PC | | |
| Housing color | Black+Silver | | |
| Others | | | |
| Operating Temperature | -20°C - +45°C | | |
| Operating Humidity | 20%-70% RH | | |
| Storage Temperature | -30°C - +80°C | | |
| Storage Humidity | 10%-75% RH | | |
| Application | shoebboxes, streetlights, floodlights, wall packs and canopies | | |
| Safety Certification | UL, CUL, CE, RoHS | | |
| Warranty Time | 5 Years | | |

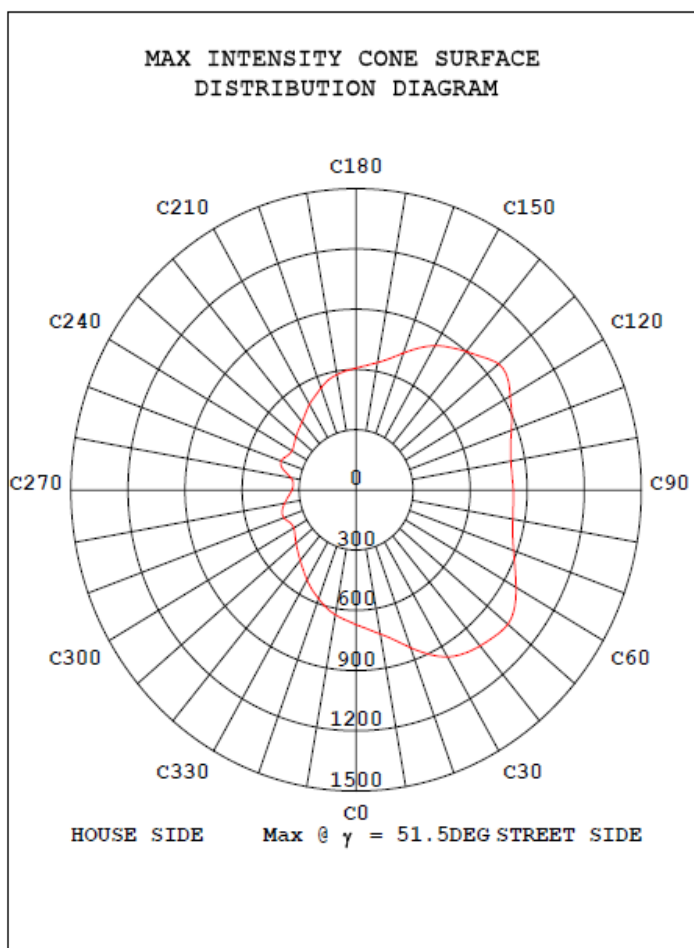
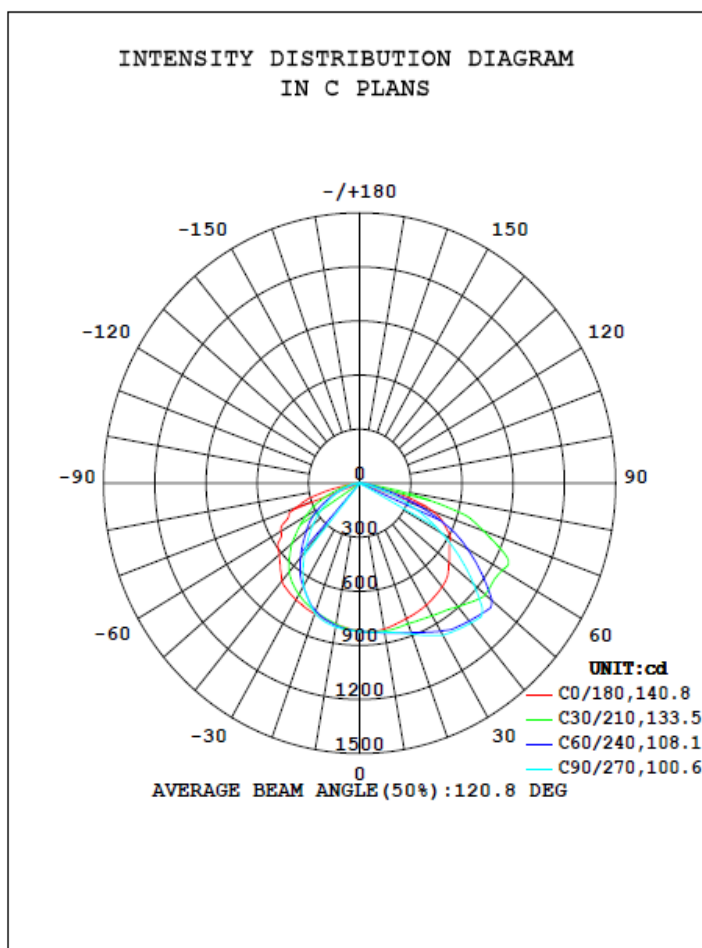
SINOSTAR LIGHTING GROUP LTD.

Tel: +86-757-83982666
 Web: www.sinostarled.com

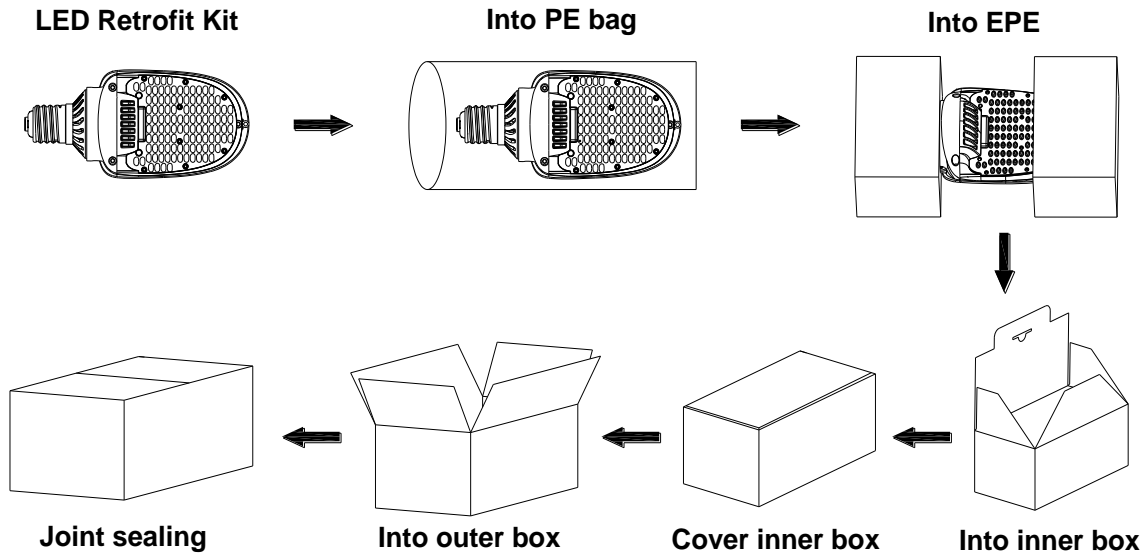
Fax: +86-757-82283667
 E-mail: sales@sinostarled.com

Remark: The testing data comes directly from the product test.

| DATA OF LAMP | | PHOTOMETRIC DATA | | | |
|-------------------|---------|--------------------------|----------|-----------------------|---------|
| MODEL | | Imax (cd) | 1041 | η street_up(%) | 0.0 |
| NOMINAL POWER (W) | 27 | LOR(%) | 100.0 | η street_down(%) | 61.8 |
| RATED VOLTAGE (V) | 120 | TOTAL FLUX (lm) | 2976 | η house_up(%) | 0.0 |
| NOMINAL FLUX (lm) | 2975.55 | MAXIMUM @ (C, γ) | 50, 51.5 | η house_down(%) | 38.2 |
| LAMPS INSIDE | 1 | η up(%) | 0.0 | 76 FLASHAREA (m2) | 0.05000 |
| TEST VOLTAGE (V) | 120 | η down(%) | 100.0 | SLI | 19.363 |



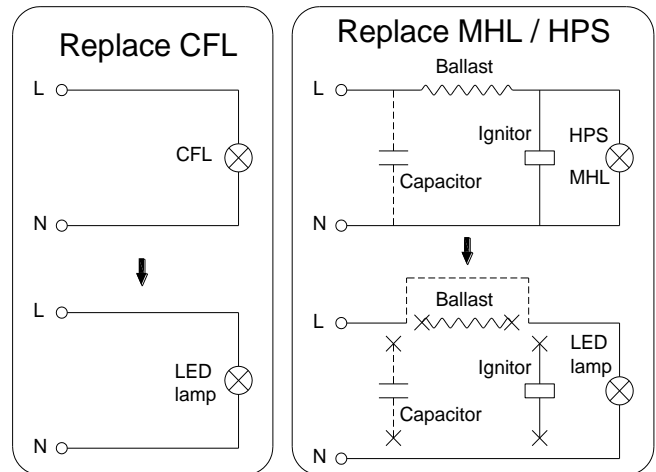
Package



| | Size | Qty/ Carton | Net Weight/ Carton | Gross Weight/ Carton |
|-----------|----------------|----------------|-----------------------|-------------------------|
| Inner box | 290*135*105 MM | 1 PC | 0.72 KG | 0.88 KG |
| Outer box | 560*305*230 MM | 8 PCS | 5.7 KG | 7.8 KG |

Notice For User

- Please turn off power before install or change assembly parts.
- The input voltage and lamps should be matched, after connecting the power line, please make sure the wiring section is insulated.
- Make sure to remove or bypass the ballast in the fixtures before install the lamps.
- Suitable for damp locations. Do not use with dimmers.
- Suitable for use in enclosed luminaires, min. lamp compartment dimensions: 340*200*200MM.
- No-professionals, must not install and disassemble the lamps.



Trouble Shootings

| Troubles | Check points |
|-------------------------|--|
| Flickering of the lamps | Turn off the power and turn on again in 3 minutes. If same phenomena occur, then call agencies |
| Out of working | Please check the connection |