

NAME: LED Retrofit Kit

P/N: SS-SLB-115W

Advantage

- UL, CUL, RoHS, CE certificate
- PHILIPS LUMILEDS chip, high CRI
- Warm / Natural / Cool / Cold white.
- 90x150°, TYPE III.
- Internal driver, input voltage AC100-277V.
- E39, EX39, E40 lamp base.
- Lamp Base: 270 degree rotated.
- Big heat sink.
- New style and high efficient wide-range input.
- Long lifespan and good heat dissipation.
- Direct replacement for Metal Halide, easy Installation.
- Fits many different fixtures to replace traditional lamps.



Application

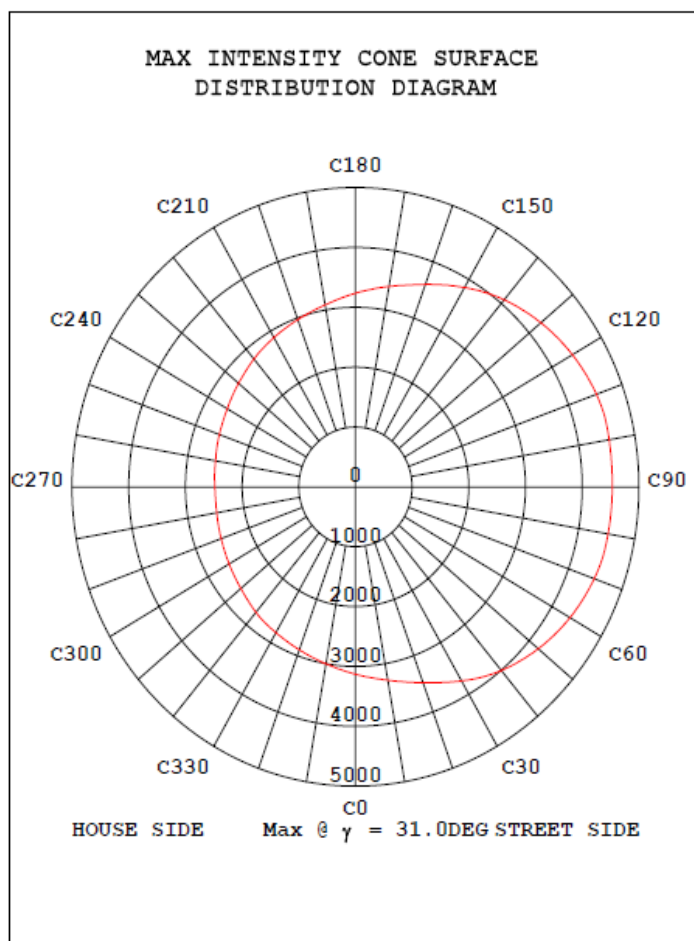
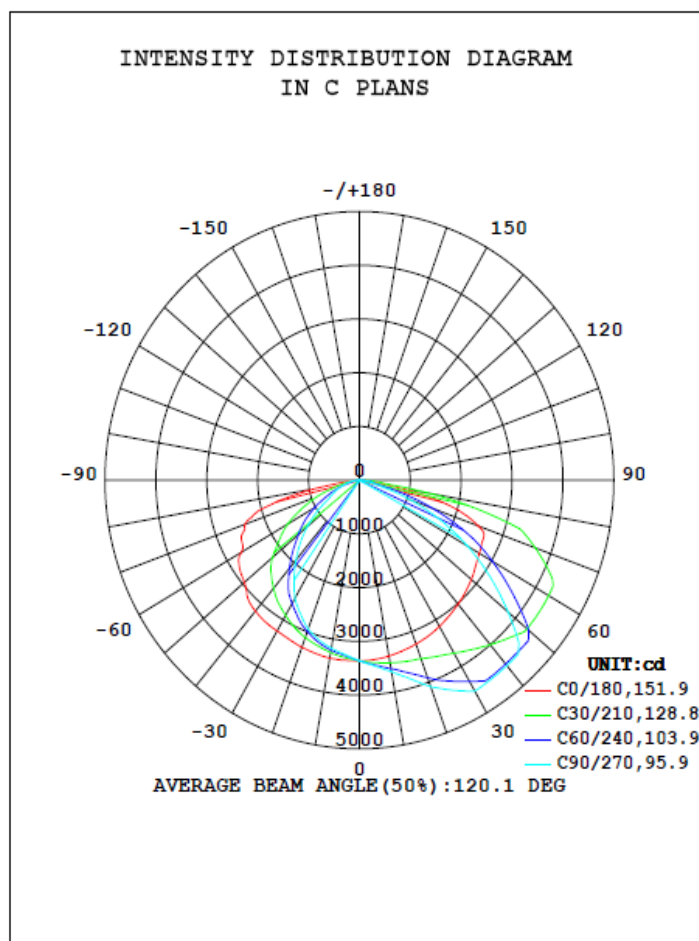
Retrofitting parking lots, shoeboxes, streetlights, floodlights, wall packs, and canopies has just been made simple.

General	
Product name	LED Retrofit Kit
Part No	SS-SLB-115W
Lamp Base	E39/EX39/E40
Dimension	297*138*87 MM
Technical	
Color temperature	2700-6500K
CRI	>70
Lumen	13000-15000 LM
Lumen Efficacy	115-130 LM/W
Input Power	115W
Viewing Angle	90x150° (Type III)
Input Voltage	AC100-277V 50/60Hz
PFC	>90%
Equivalent	250W CFL, 400W MHL/HPS/HID
Waterproof Rating	IP51
Material	
LED Brand	PHILIPS LUMILEDS
LED Type	LUXEON 3030 2D (1.5W)
LED QTY	196 PCS
Housing	Magnesium Alloy+AL+PC
Housing color	Black+Silver
Others	
Operating Temperature	-20°C - +45°C
Operating Humidity	20%-70% RH
Storage Temperature	-30°C - +80°C
Storage Humidity	10%-75% RH
Application	shoeboxes, streetlights, floodlights, wall packs and canopies
Safety Certification	UL, CUL, CE, RoHS
Warranty Time	5 Years

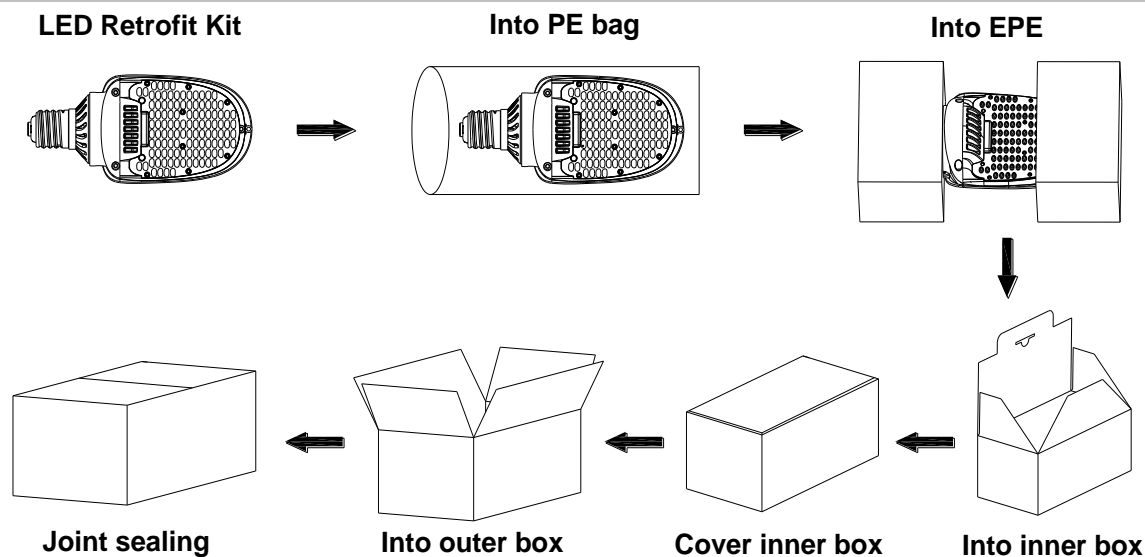
SINOSTAR LIGHTING GROUP LTD.Tel: +86-757-83982666
Web: www.sinostarled.comFax: +86-757-82283667
E-mail: sales@sinostarled.com

Remark: The testing data comes directly from the product test.

DATA OF LAMP		PHOTOMETRIC DATA Eff: 118.01 lm/W			
MODEL		I _{max} (cd)	4550	η street_up(%)	0.0
NOMINAL POWER (W)	115	LOR(%)	100.0	η street_down(%)	65.1
RATED VOLTAGE (V)	120	TOTAL FLUX (lm)	13140	η house_up(%)	0.0
NOMINAL FLUX (lm)	13139.9	MAXIMUM @ (C, γ)	105,31.0	η house_down(%)	34.9
LAMPS INSIDE	1	η up(%)	0.0	76 FLASHAREA (m2)	0.05000
TEST VOLTAGE (V)	120	η down(%)	100.0	SLI	22.988



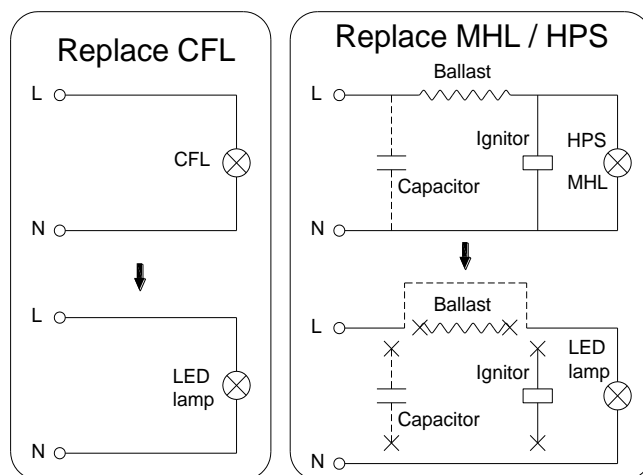
Package



	Size	Qty/ Carton	Net Weight/ Carton	Gross Weight/ Carton
Inner box	340*160*110 MM	1 PC	1.31 KG	1.55 KG
Outer box	660*355*240 MM	8 PCS	10.5 KG	13.5 KG

Notice For User

- Please turn off power before install or change assembly parts.
- The input voltage and lamps should be matched, after connecting the power line, please make sure the wiring section is insulated.
- Make sure to remove or bypass the ballast in the fixtures before install the lamps.
- Suitable for damp locations. Do not use with dimmers.
- Suitable for use in enclosed luminaires, min. lamp compartment dimensions: 440*260*260MM.
- No-professionals, must not install and disassemble the lamps.



Trouble Shootings

Troubles	Check points
Flickering of the lamps	Turn off the power and turn on again in 3 minutes. If same phenomena occur, then call agencies
Out of working	Please check the connection

SINOSTAR LIGHTING GROUP LTD.

Tel: +86-757-83982666
Web: www.sinostarled.com

Fax: +86-757-82283667
E-mail: sales@sinostarled.com