



P/N: SS-HBR-240W-G5

Note:

SS= Company name

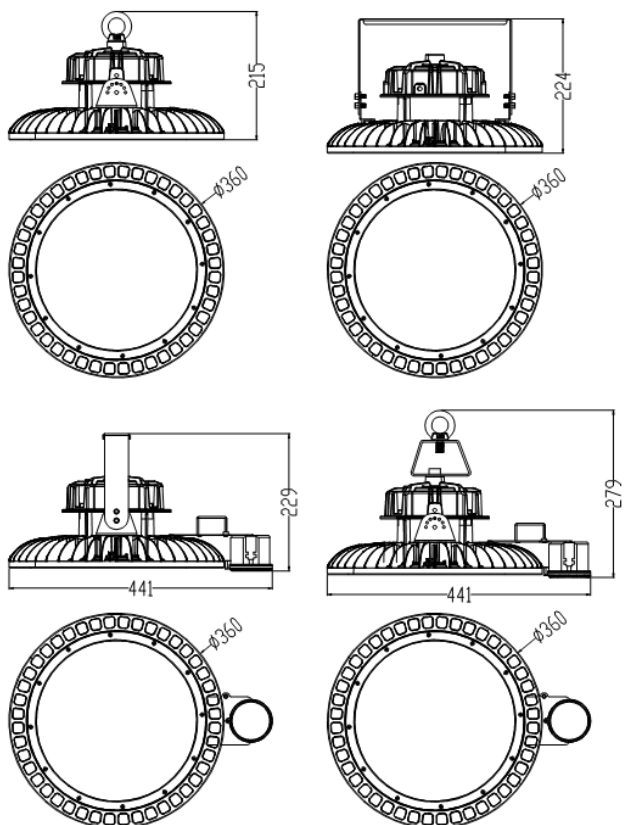
HBR = Product series, LED Round High Bay Light

240W = Rating Power

G5=5th Generation



DIMENSIONS



ADVANTAGE

- UL cUL DLC certificate.
- IP65 driver, input voltage 100-277VAC.
- No UV or IR in the beam.
- Easy to install and operate.
- Energy saving, long lifespan.
- Light is soft and uniform, safe to eyes.
- Instant start, NO flickering, NO humming.
- Green and eco-friendly without mercury.

APPLICATION

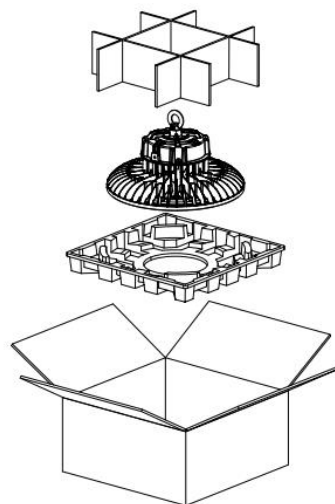
- Warehouse, factory and workshops;
- Highway toll station and gas station;
- Exhibition hall;
- Gymnasium and supermarkets, etc.

SPECIFICATIONS

OPTICAL	Input Power	240W
	Lumen	31200-34800LM
	Lumen Efficacy	130-145LM/W
	Viewing Angle	110°
	Color Temperature	4000K, 4500K,5000K, 5700K
	CRI	>80
ELECTRICAL	Input Voltage	100-277VAC 50/60Hz
	PF	≥0.9
	THD	≤20%
	Driver Model	China Brand Driver (1-10Vdc Dimmer)
	Optional Accessory	Motion Sensor/Surge-Protective Device
MATERIALS	LED Type	SMD2835 (0.5W)
	LED QTY	615 PCS
	Housing	Aluminum Alloy
	Housing Color	Any colors
	Cover	Flat clear glass
	Waterproof Rating	WET (IP65)
OTHERS	Operating Temperature	-40℃ TO 50℃
	Operating Humidity	10%-90% RH
	Storage Temperature	-40℃ TO 80℃
	Storage Humidity	10%-95% RH
	Warranty Time	5 Years

PACKAGE

	Size	Qty / Carton	Lamps Net Weight	Weight/ Carton
Outer box	420X420X205MM	1PC	5.3KG	6.5KG



LIGHT DISTRIBUTION TESTING PARAMETERS

Luminaire Property

Luminaire Manufacturer:
Voltage: 119.4 V
Power: 236.46 W

Current: 1.973 A
Power Factor: 0.999

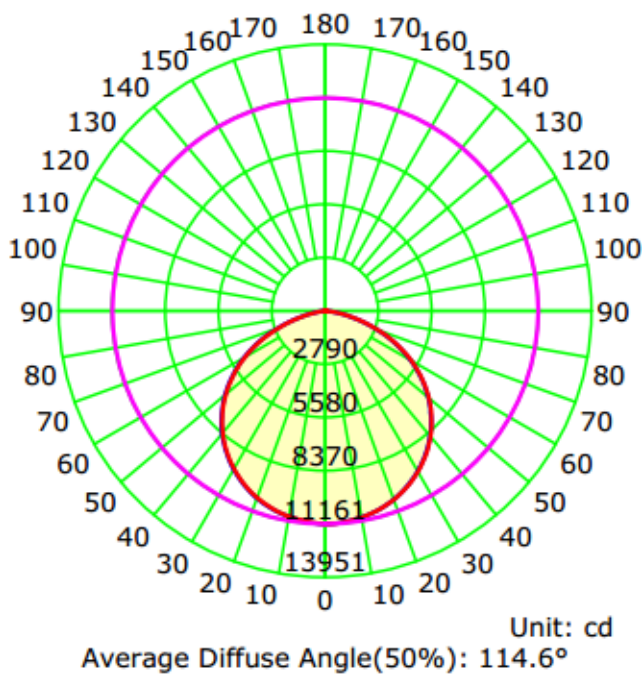
Photometric Results

CIE Class: Direct
Measurement Flux: 31745 lm
Downward Ratio: 100%
Horizontal Diffuse Angle(10%,50%): H155,H114.7
Vertical Diffuse Angle(10%,50%): V154.9,V114.6
Luminaire Efficacy Rating (LER): 134.25
Max. Intensity: 11161.15 cd
S/MH(C0/C180): 1.28

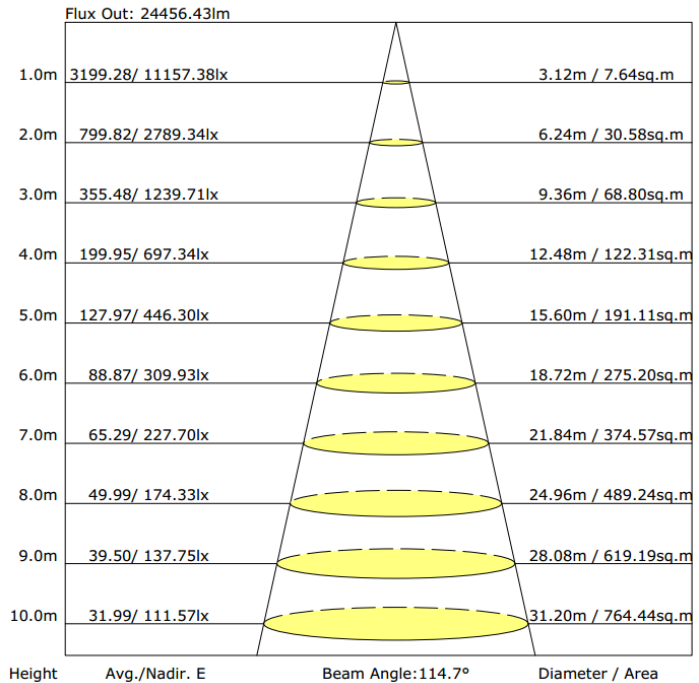
Total Rated Lamp Lumens: 31745.0 lm
Efficiency: 100%
Upward Ratio: 0%

Central Intensity: 11157.38 cd
Pos of Max. Intensity: H90 V1
S/MH(C90/C270): 1.28

Luminous Intensity Distribution Curve



The Average Illuminance Effective Figure



NOTICE FOR USER

- Please turn off power before install or change assembly parts.
- The input voltage and lamps should be matched, after connecting the power line, Please make sure the wiring section is insulated.
- No-professionals, must not install and disassemble the lamps.

TROUBLE SHOOTINGS

Troubles	Check points
Flickering of the light	Turn off the power and turn on again in 3 minutes. If same phenomena occur, then call agencies.
Out of working	Please check the connection.