



P/N: SS-HBR-200W-G5

Note:

SS= Company name

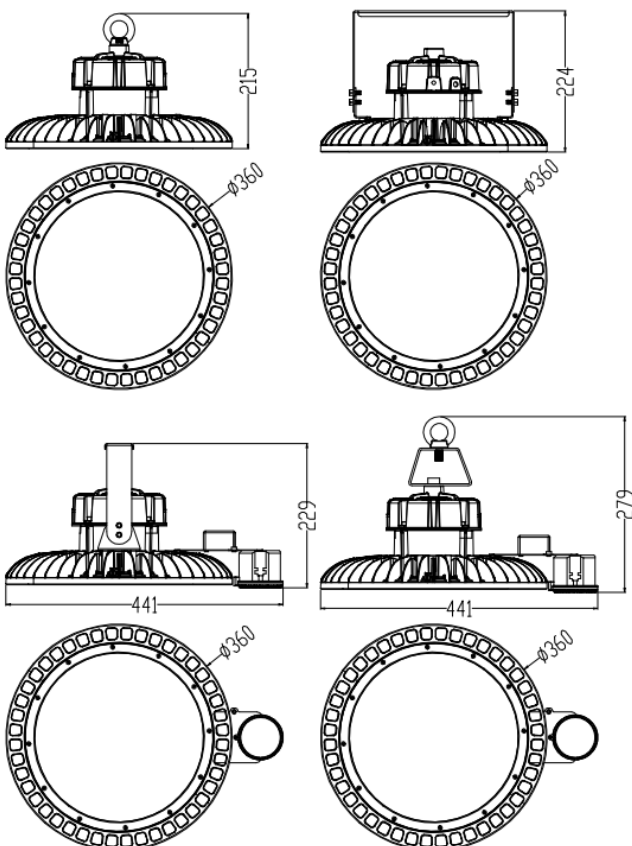
HBR = Product series, LED Round High Bay Light

200W = Rating Power

G5=5<sup>th</sup> Generation



**DIMENSIONS**



**ADVANTAGE**

- UL cUL DLC certificate.
- IP65 driver, input voltage 100-277VAC.
- No UV or IR in the beam.
- Easy to install and operate.
- Energy saving, long lifespan.
- Light is soft and uniform, safe to eyes.
- Instant start, NO flickering, NO humming.
- Green and eco-friendly without mercury.

**APPLICATION**

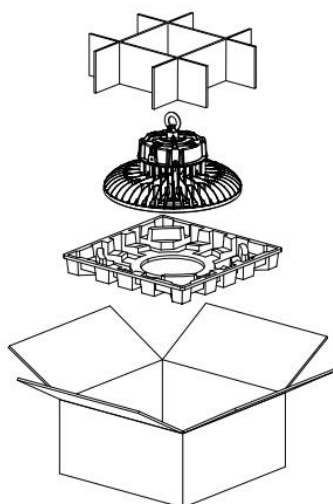
- Warehouse, factory and workshops;
- Highway toll station and gas station;
- Exhibition hall;
- Gymnasium and supermarkets, etc.

## SPECIFICATIONS

<b>OPTICAL</b>	Input Power	200W
	Lumen	26000-29000LM
	Lumen Efficacy	130-145LM/W
	Viewing Angle	110°
	Color Temperature	4000K,4500K, 5000K, 5700K
	CRI	>80
<b>ELECTRICAL</b>	Input Voltage	100-277VAC 50/60Hz
	PF	≥0.9
	THD	≤20%
	Driver Model	China Brand Driver (1-10Vdc Dimmer )
	Optional Accessory	Motion Sensor/Surge-Protective Device/Daylight Sensor
<b>MATERIALS</b>	LED Type	SMD2835 (0.5W)
	LED QTY	510 PCS
	Housing	Aluminum Alloy
	Housing Color	Any colors
	Cover	Flat clear glass
	Waterproof Rating	WET (IP65)
<b>OTHERS</b>	Operating Temperature	-40℃ TO 50℃
	Operating Humidity	10%-90% RH
	Storage Temperature	-40℃ TO 80℃
	Storage Humidity	10%-95% RH
	Warranty Time	5 Years

## PACKAGE

	Size	Qty / Carton	Lamps Net Weight	Weight/ Carton
Outer box	420X420X205MM	1PC	4.8KG	6.0KG



**LIGHT DISTRIBUTION TESTING PARAMETERS**

**Luminaire Property**

Luminaire Manufacturer:

Voltage: 119.5 V

Power: 198.00 W

Current: 1.658 A

Power Factor: 0.995

**Photometric Results**

CIE Class: Direct

Measurement Flux: 26804.5 lm

Downward Ratio: 100%

Horizontal Diffuse Angle(10%,50%): H154.8,H114.5

Vertical Diffuse Angle(10%,50%): V155,V114.5

Luminaire Efficacy Rating (LER): 135.38

Max. Intensity: 9438.74 cd

S/MH(C0/C180): 1.28

Total Rated Lamp Lumens: 26804.5 lm

Efficiency: 100%

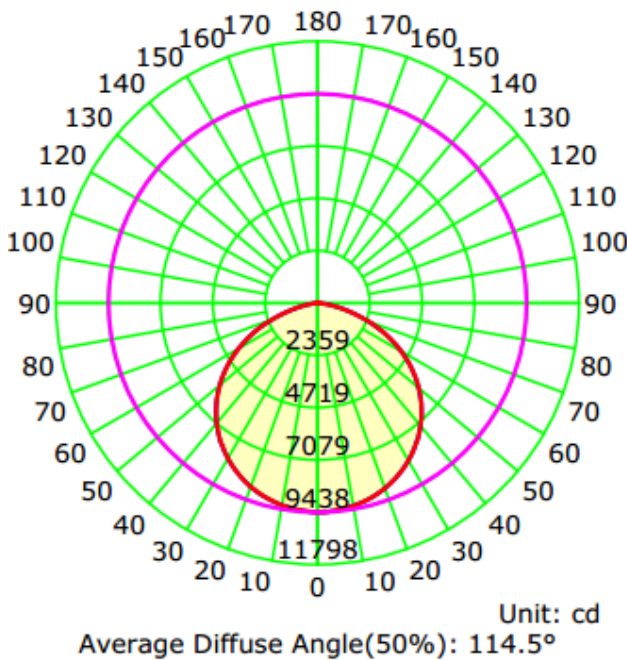
Upward Ratio: 0%

Central Intensity: 9435.31 cd

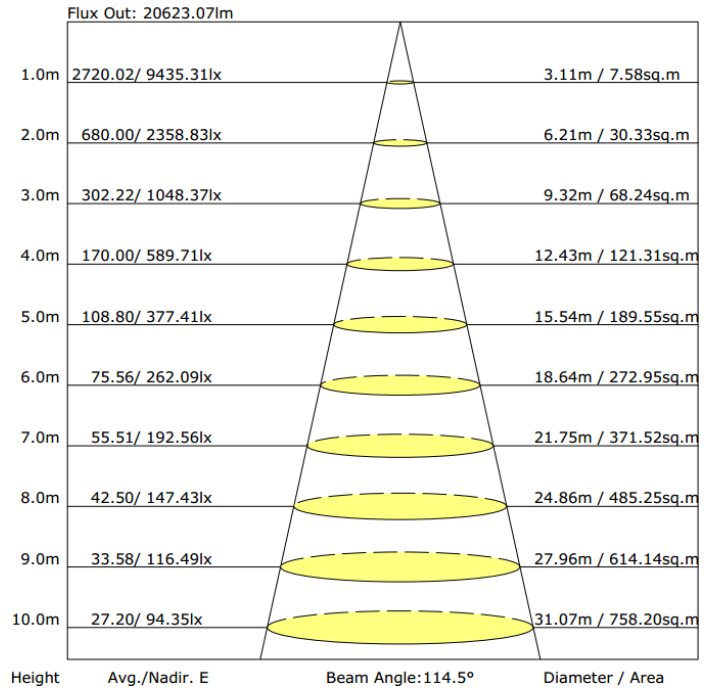
Pos of Max. Intensity: H22.5 V1

S/MH(C90/C270): 1.28

Luminous Intensity Distribution Curve



The Average Illuminance Effective Figure



**NOTICE FOR USER**

- Please turn off power before install or change assembly parts.
- The input voltage and lamps should be matched, after connecting the power line, Please make sure the wiring section is insulated.
- No-professionals, must not install and disassemble the lamps.

**TROUBLE SHOOTINGS**

Troubles	Check points
Flickering of the light	Turn off the power and turn on again in 3 minutes. If same phenomena occur, then call agencies.
Out of working	Please check the connection.