



NAME: LED Canopy Light

P/N: SS-CX-240W

Note: Optional lens

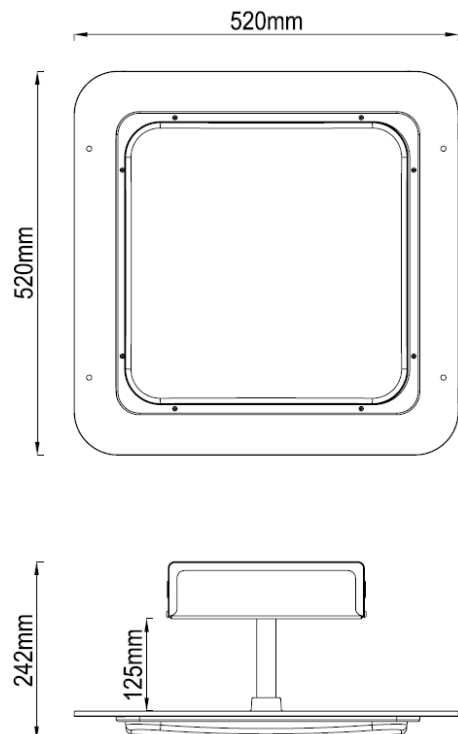
- 1: Stripe lens
- 2: Frosted lens

Advantage:

- UL cUL, CE, RoHS certificate
- High CRI
- Mean Well IP65 driver, Input voltage 100-277Vac
- No UV or IR in the beam
- Easy to install and operate
- Energy saving, Long lifespan
- Light is soft and uniform, Safe to eyes
- Instant start, NO flickering, NO humming
- Green and eco-friendly without mercury.

Application:

- ◆ Gas station
- ◆ Service station, Toll station.



Product Specifications

Product name	LED Canopy Light
Part No	SS-CX-240W
Dimension	520 x 520 x 242mm

Technical Characteristic

Color temperature	2700-6500K
CRI	>80
Lumen	28000 - 31500LM
Input Power	240W
Viewing Angle	120°
Input Voltage	100-277Vac 50/60Hz
Driver model	HLG-240H-48A (Mean Well Driver)
PFC	>0.9
Waterproof Rating	IP65

Materials

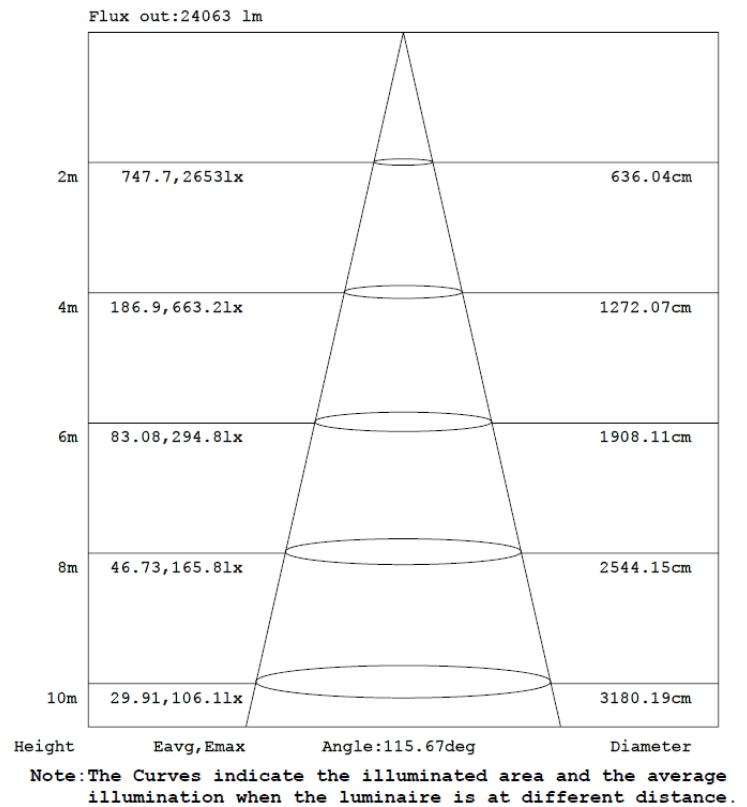
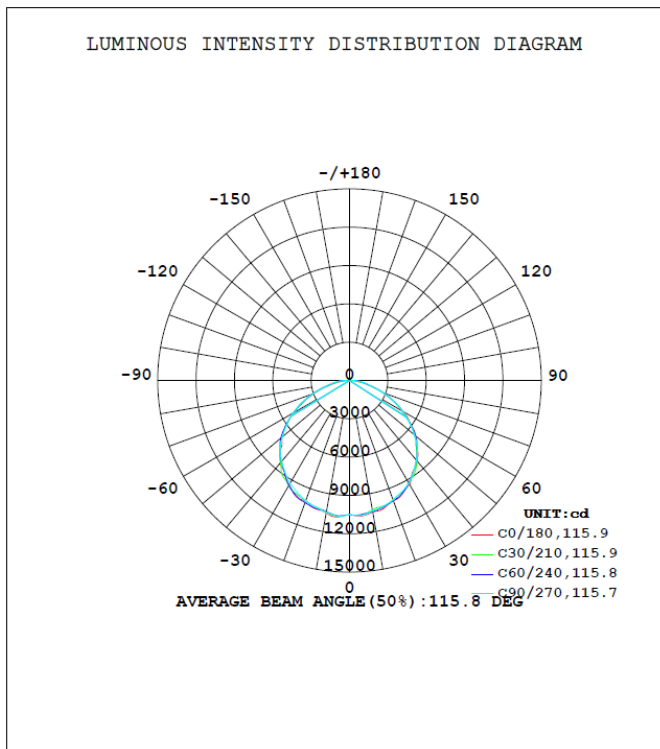
LED Brand	Epistar
LED Type	2835 (0.2W)
LED QTY	1500 PCS
Housing	Aluminum
Housing color	White

Others

Operating Temperature	-20°C TO 45°C
Operating Humidity	20%-90% RH
Storage Temperature	-30°C TO 80°C
Storage Humidity	10%-95%
Application	Outdoor / Indoor
Safety Certification	UL, cUL, CE, RoHS
Warranty Time	5 Years

Light Distribution Testing Parameters

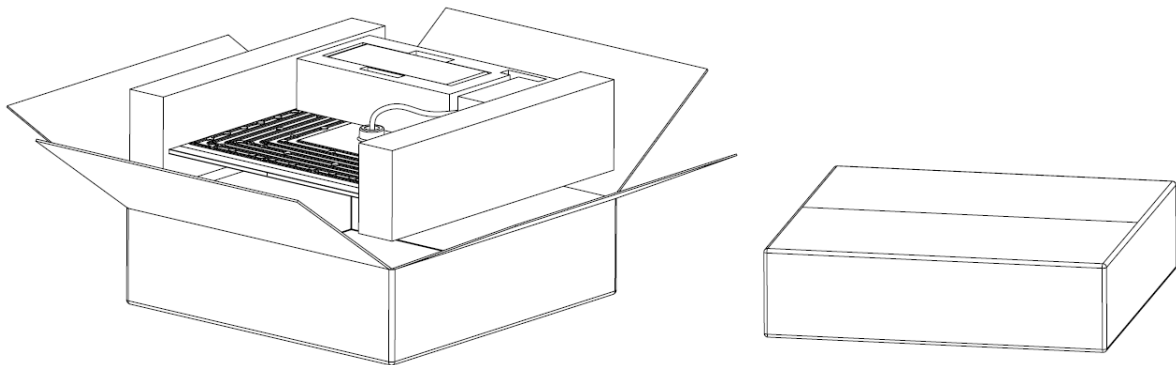
DATA OF LAMP		PHOTOMETRIC DATA Eff: 129.11 lm/W			
MODEL	SS-CX-240W-4000K	Imax (cd)	11239	S/MH (C0/180)	1.28
NOMINAL POWER (W)	240	LOR (%)	100.0	S/MH (C90/270)	1.26
RATED VOLTAGE (V)	120	TOTAL FLUX (lm)	31274	η UP, DN (C0-180)	0.2, 50.2
NOMINAL FLUX (lm)	31273.6	CIE CLASS	DIRECT	η UP, DN (C180-360)	0.1, 49.5
LAMPS INSIDE	1	η up (%)	0.3	CIBSE SHR NOM	1.25
TEST VOLTAGE (V)	120.0	η down (%)	99.7	CIBSE SHR MAX	1.35



Package

Lamps Net Weight: 9.3 Kg/pc

	Size	Qty/ Carton	Weight/ Carton
Outer box	560 x 560 x 160mm	1	10.8 KG



Notice For User

- ◆ Please turn off power before install or change assembly parts.
- ◆ The input voltage and lamps should be matched, after connecting the power line, Please make sure the wiring section is insulated.
- ◆ No-professionals, must not install and disassemble the lamps.

Trouble Shootings

Troubles	Check points
Flickering of the light	Turn off the power and turn on again in 3 minutes. If same phenomena occur, then call agencies
Out of working	Please check the connection