

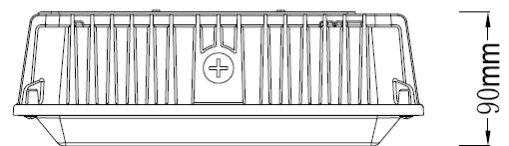
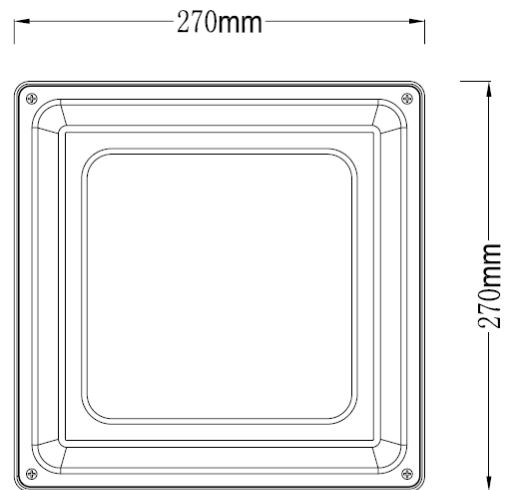


NAME: LED Canopy Light

P/N : SS-CN-75W

### Advantage:

- UL, cUL, CE, ROHS certificate
- IP65 Internal driver,  
Input voltage 100-277VAC
- No UV or IR in the beam
- Easy to install and operate
- Energy saving, long lifespan
- Instant start, NO flickering, NO humming
- Green and eco-friendly without mercury.



### Application:

- ◆ Widely used in gas station;
- ◆ Service station;
- ◆ underground parking lot;
- ◆ garage, etc.

### Product Specifications

Product name	LED Canopy Light
Part No	SS-CN-75W
Dimension	270 x 270 x 90 mm

### Technical Characteristic

Color temperature	2700-7000K
CRI	>80
Lumen	7500-8700LM
Input Power	75W
Viewing Angle	120°
Input Voltage	100-277VAC 50/60Hz
Driver model	China Brand Driver
PFC	>0.9
Waterproof Rating	IP65

### Materials

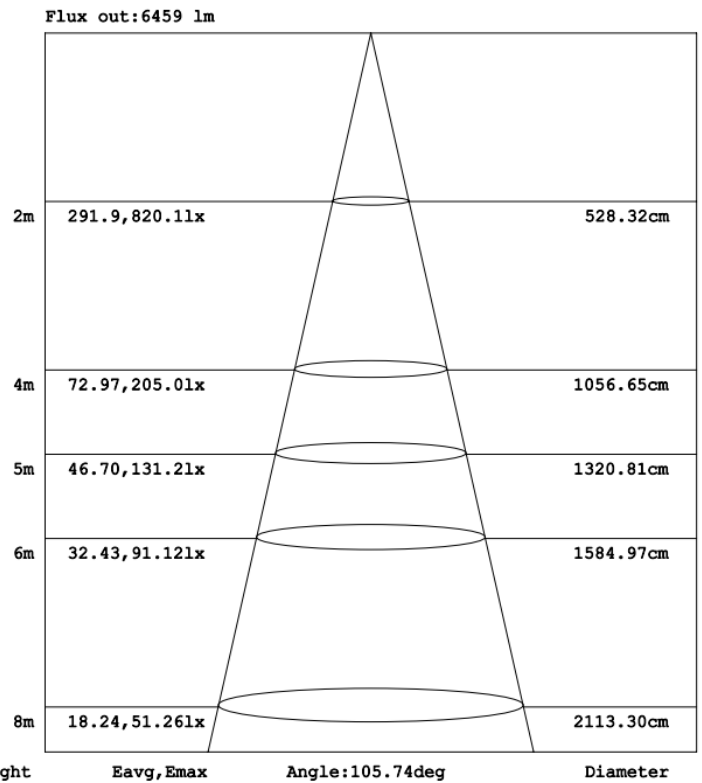
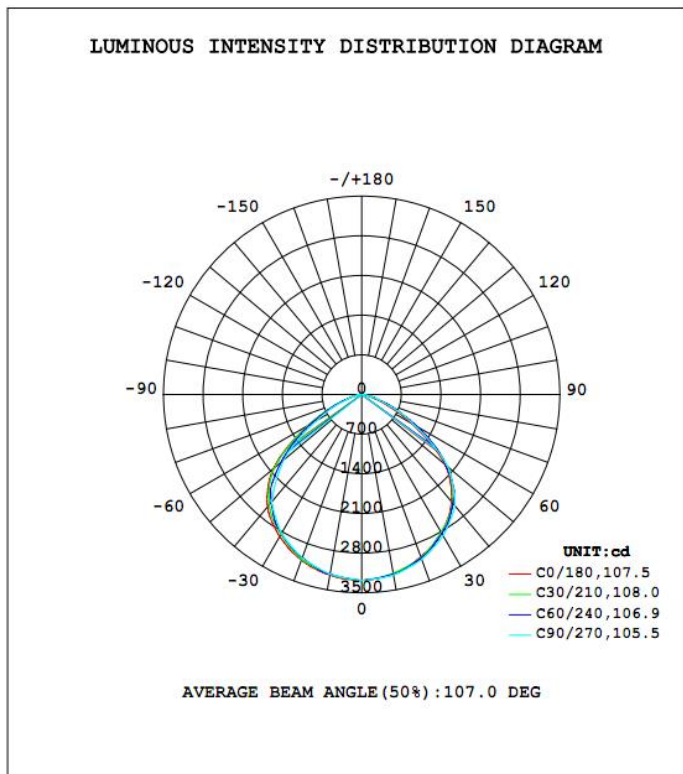
LED Brand	LUMILEDS
LED Type	LUXEON 3030 2D (1.5W)
LED QTY	98 PCS
Housing	Aluminum
Housing color	White

### Others

Operating Temperature	-20°C TO 45°C
Operating Humidity	20%-90% RH
Storage Temperature	-30°C TO 80°C
Storage Humidity	10%-95%
Application	Indoor / Outdoor
Safety Certification	UL, cUL, CE, ROHS
Warranty Time	5 Years

## Light Distribution Testing Parameters

DATA OF LAMP		PHOTOMETRIC DATA <span style="float: right;">Eff: 108.82 lm/W</span>			
MODEL	75W	I <sub>max</sub> (cd)	3281	S/MH (C0/180)	1.31
NOMINAL POWER (W)	75	LOR (%)	100.0	S/MH (C90/270)	1.28
RATED VOLTAGE (V)	120	TOTAL FLUX (lm)	8302.4	η UP, DN (C0-180)	0.0, 51.0
NOMINAL FLUX (lm)	8302.4	CIE CLASS	DIRECT	η UP, DN (C180-360)	0.0, 49.0
LAMPS INSIDE	1	η up (%)	0.0	CIBSE SHR NOM	1.25
TEST VOLTAGE (V)	120	η down (%)	100.0	CIBSE SHR MAX	1.35

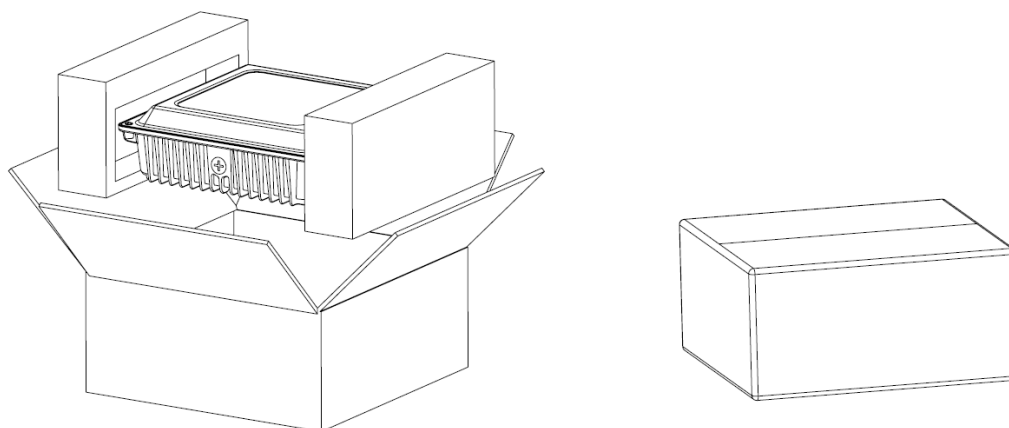


Note: The Curves indicate the illuminated area and the average illumination when the luminaire is at different distance.

### Package

**Lamps Net Weight: 3.8 kg / pc**

	Size	Qty/Carton	Weight/Carton
Outer box	320 x 320 x 160 mm	1	4.6 kg



### Notice For User

- ◆ Please turn off power before install or change assembly parts.
- ◆ The input voltage and lamps should be matched, after connecting the power line, Please make sure the wiring section is insulated.
- ◆ No-professionals, must not install and disassemble the lamps.

### Trouble Shootings

Troubles	Check points
Flickering of the light	Turn off the power and turn on again in 3 minutes. If same phenomena occur, then call agencies
Out of working	Please check the connection